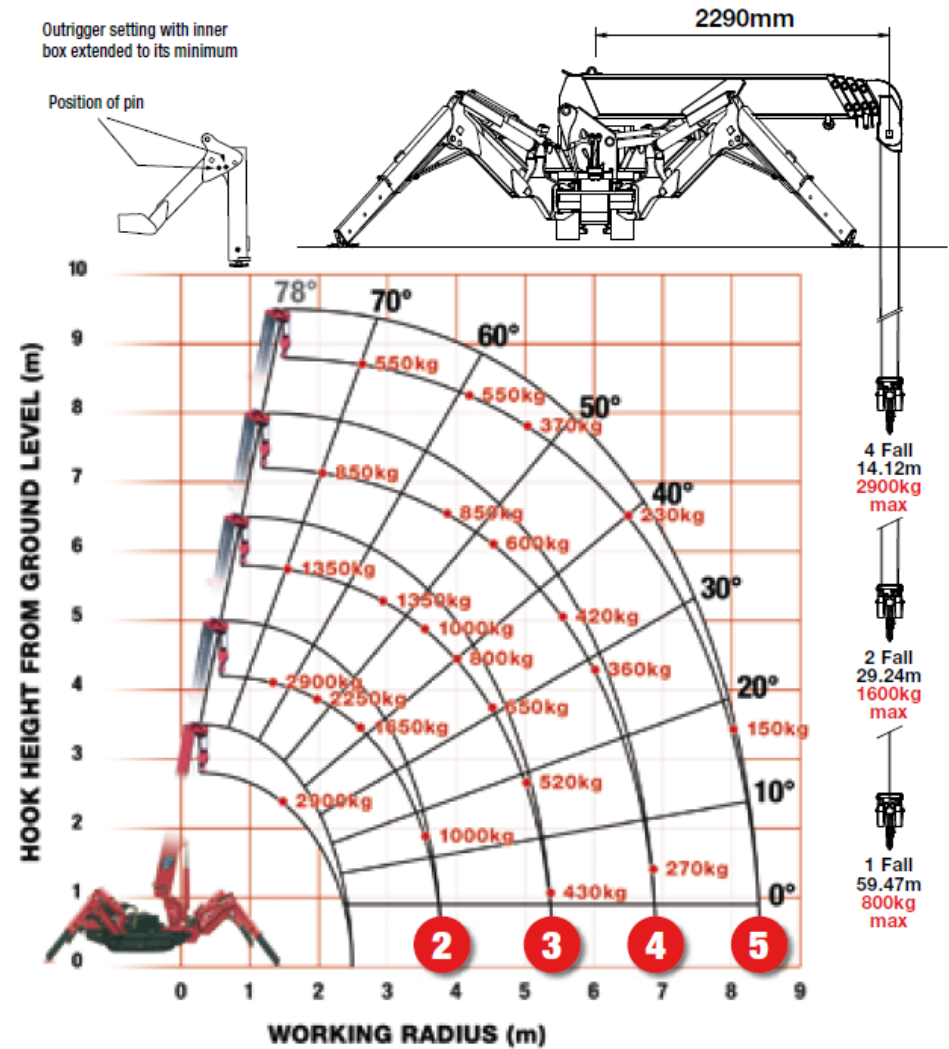
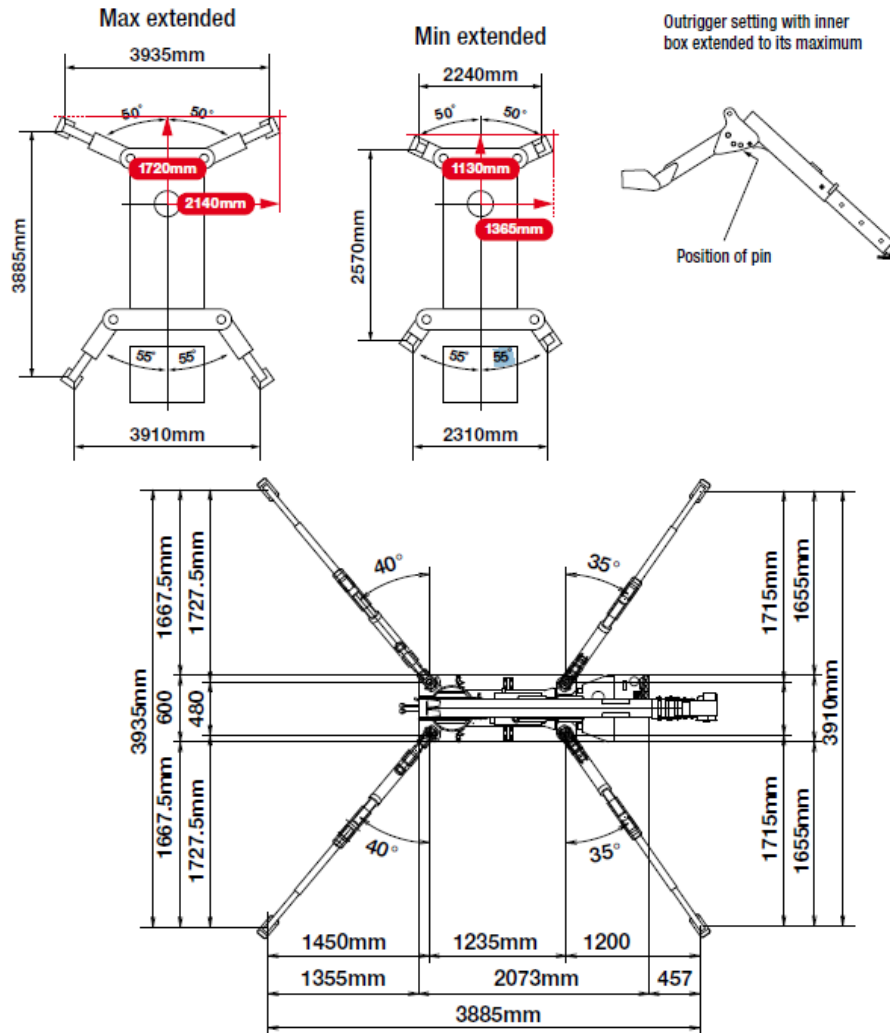


# MINI SPIDER CRANE: UNIC URW-295

## RATED LOADS & OUTRIGGER POSITIONS



## SECOND STAGE EXTENDED 2.53 - 4.075M BOOM LENGTH

<b>Working radius</b>		<b>m</b>	<b>up to 1.0</b>	<b>1.4</b>	<b>1.5</b>	<b>1.8</b>	<b>2.0</b>	<b>2.5</b>	<b>3.0</b>	<b>3.5</b>	<b>3.835</b>
<b>Outrigger</b>	Max-extended	kg	2,900	2,900	2,650	2,250	2,050	1,650	1,300	1,000	900
	Min-extended	kg	2,000	2,000	2,000	1,450	1,100	650	490	350	250

## THIRD STAGE EXTENDED 4.075 - 5.61M BOOM LENGTH

<b>Working radius</b>		<b>m</b>	<b>up to 2.2</b>	<b>2.5</b>	<b>2.9</b>	<b>3.0</b>	<b>3.5</b>	<b>4.0</b>	<b>4.5</b>	<b>5.0</b>	<b>5.37</b>
<b>Outrigger</b>	Max-extended	kg	1,350	1,350	1,350	1,250	1,000	800	650	520	430
	Min-extended	kg	800	650	530	500	380	280	220	160	120

## FOURTH STAGE EXTENDED 5.61 - 7.13M BOOM LENGTH

<b>Working radius</b>		<b>m</b>	<b>up to 3.3</b>	<b>3.8</b>	<b>4.0</b>	<b>4.5</b>	<b>5.0</b>	<b>5.5</b>	<b>6.0</b>	<b>6.5</b>	<b>6.89</b>
<b>Outrigger</b>	Max-extended	kg	850	850	750	600	500	420	360	320	270
	Min-extended	kg	420	340	300	250	190	140	100	80	60

## FIFTH STAGE EXTENDED 7.13 - 8.65M BOOM LENGTH

<b>Working radius</b>		<b>m</b>	<b>up to 3.8</b>	<b>4.1</b>	<b>4.5</b>	<b>5.0</b>	<b>5.5</b>	<b>6.0</b>	<b>6.5</b>	<b>7.0</b>	<b>8.0</b>	<b>8.41</b>
<b>Outrigger</b>	Max-extended	kg	550	550	450	370	310	270	230	200	150	130
	Min-extended	kg	350	290	250	200	160	130	100	70	40	30

## SEARCHER HOOK SMALL - 300kg

Stowed position

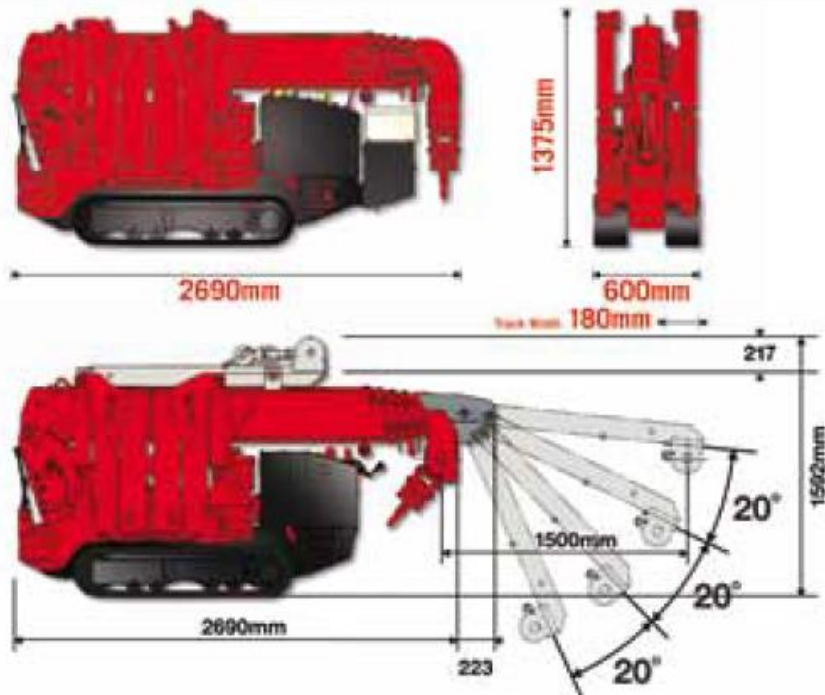


In operation



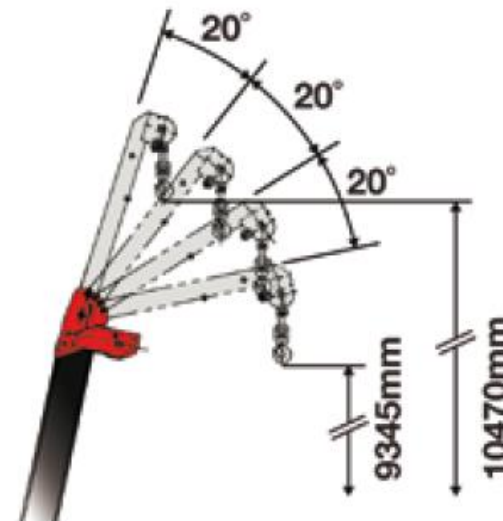
<b>Lifting capacity</b>	300kg
<b>Length</b>	500mm
<b>Weight</b>	15kg
<b>Tilt angles</b>	0°, 20°, 40°, 60°

## DIMENSIONS



## SEARCHER HOOK

Maximum Load 500kg - 700kg  
(radius rated)



## FLY JIB

Maximum Load 400kg - 700kg  
(angle rated)

