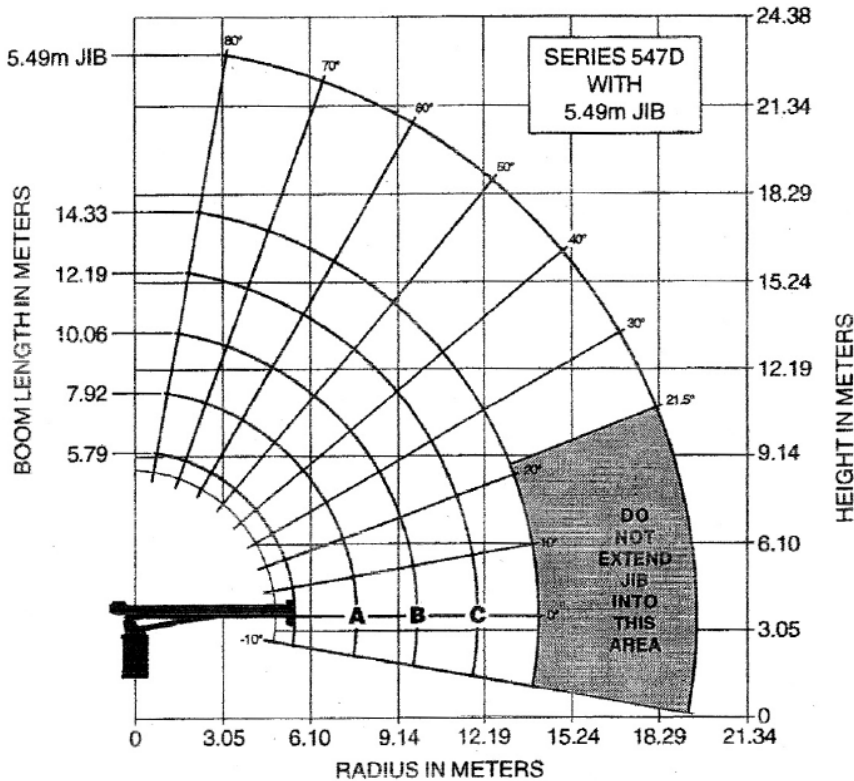


NATIONAL CRANE CORPORATION







NOTE:

1. Operate with jib by radius when main boom is fully extended. If necessary increase boom angle to maintain loaded radius.
2. Operate with jib by boom angle when main boom is not fully extended. Do not exceed rated jib capacities at any reduced boom lengths.

LOADLINE EQUIPMENT DEDUCT

Downhaul weight _____ 68 kg
 One sheave block _____ 91 kg
 Two sheave block _____ 161 kg

LOAD RADIUS (METERS)	LOADED BOOM ANGLE	5.79m (19FT) BOOM (kg)	LOADED BOOM ANGLE	A 7.92m (26FT) BOOM (kg)	LOADED BOOM ANGLE	B 10.06m (33FT) BOOM (kg)	LOADED BOOM ANGLE	C 12.19m (40FT) BOOM (kg)	LOADED BOOM ANGLE	14.33m (47FT) BOOM (kg)	LOAD RADIUS (METERS)	LOADED BOOM ANGLE	5.49m (18FT) JIB (kg)
1.52	74.5	14,515									14	78	3,175
2.44	64	9,480	72	8,868	76.5	8,301					16	76.5	3,175
3.05	57	7,847	67.5	7,326	73	6,895	76	6,509	78.5	6,350	18	74.5	2,903
3.66	49	6,645	62	6,260	69	5,897	73	5,557	76	5,375	20	73	2,654
4.27	39.5	5,783	57	5,489	65	5,148	70	4,876	73.5	4,695	25	68	2,041
4.88	27.5	4,922	51	4,699	61	4,604	67	4,332	71	4,173	30	63	1,633
5.49			45	4,377	57	4,150	64	3,924	68	3,765	35	58	1,406
6.10			38	3,924	52.5	3,765	60.5	3,561	66	3,379	40	52.5	1,179
7.62					41	3,016	52	2,880	59	2,767	45	46.5	953
9.14					23.5	2,313	42	2,404	51.5	2,336	50	40	726
10.67							28.5	1,973	42.5	1,996	55	32	544
12.19									32	1,678	60	21.5	363
13.72									15	1,270			
	0	3,062	0	2,094	0	1,497	0	1,134	0	835			

1 PART LINE	2 PART LINE	3 PART LINE	4 PART LINE	5 PART LINE	NOTICE
 MAX. PULL 3,493 kg	 MAX. PULL 6,985 kg	 MAX. PULL 10,478 kg	 MAX. PULL 13,971 kg	 MAX. PULL 14,515 kg	